

Specifications

General

The surface drainage system shall be ACO Drain Brickslot, as manufactured by ACO Polymer Products, Inc. or equal approved.

Materials

The Brickslot top is manufactured from 11 gauge stainless steel.

The nominal clear opening for Brickslot is 7/8" (22.35 mm) with two - 5/16" (8 mm) slot openings and with a 1/4" (6.35 mm) bar between the two openings. Overall width is 4.84" (123 mm). An offset slot helps prevent debris from being trapped. For use with KS100, MembraneDrain, SlabDrain (H100-10, H100-8, H100KS-8), and the KS100 Series 900 catch basin. See separate ACO Spec info sheet for channel details. Brickslot rests in the grate seating of the channel, the anti-shunt lugs help prevent lateral movement and the weight of covering material keeps the unit secured. Access units have frames that fit catch basins with a separate unit that can be removed for maintenance.

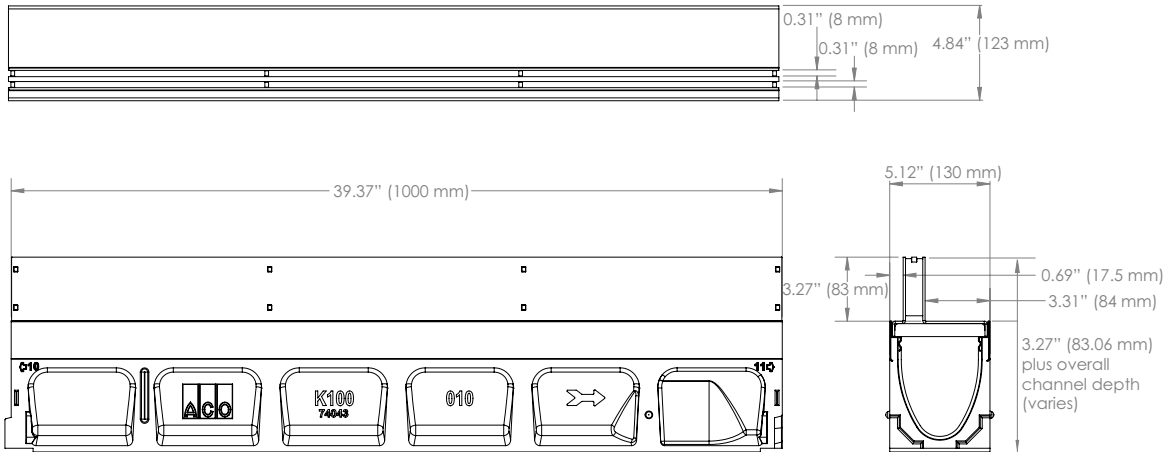
Installation

The trench drain system shall be installed in accordance with the manufacturer's installation instructions and recommendations.

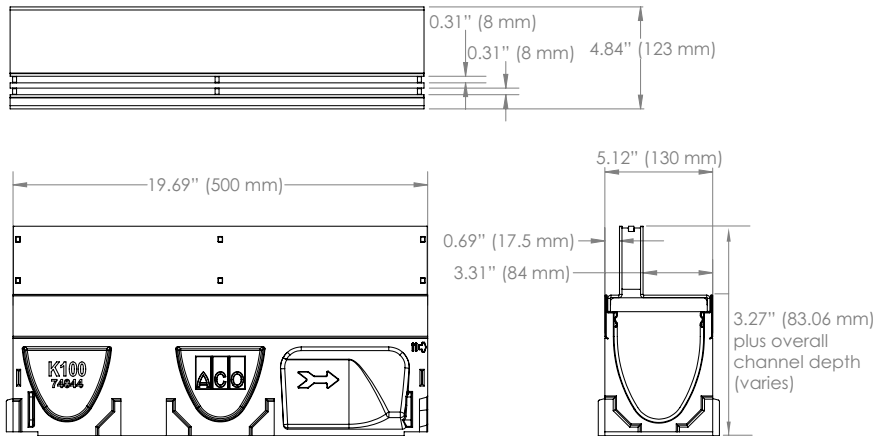
ACO DRAIN

Type 472/473 Stainless Steel Heel Resistant Brickslot 100

One meter unit



Half meter unit



Description	Part No.	Overall Depth in.	Overall Depth mm	Weight lbs.
Type 472/473 - Brickslot 100 - 39.37" (1m) Stainless Steel	138055	4.06	103	18.0
Type 472/473 - Brickslot 100 - 19.69" (0.5m) Stainless Steel	138056	4.06	103	9.2

Notes:

1. For use with KS100 channels and Series 900 catch basins.
2. Brickslot can also be used with SlabDrain H and HKS channels.

ACO Specification Information

ACO Polymer Products, Inc.

Northeast Sales Office

9470 Pinecone Drive
Mentor, OH 44060
Tel: (440) 639-7230
Toll free: (800) 543-4764
Fax: (440) 639-7235

West Sales Office

825 W. Beechcraft St.
Casa Grande, AZ 85122
Tel: (520) 421-9988
Toll Free: (888) 490-9552
Fax: (520) 421-9899

Southeast Sales Office

4211 Pleasant Road
Fort Mill, SC 29708
Toll free: (800) 543-4764
Fax: (803) 802-1063

Follow us on



Electronic Contact:

info@ACODrain.us
www.ACODrain.us



© January 2018 ACO Polymer Products, Inc. This information is believed to be accurate but it is not guaranteed to be so. We cannot assume liability for results that buyer obtains with our product since conditions of use are beyond the control of the company. It is the customer's responsibility to evaluate suitability and safety of product for his own use. ACO Polymer Products Inc. reserves the right to change the product and specifications without notice.