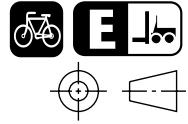
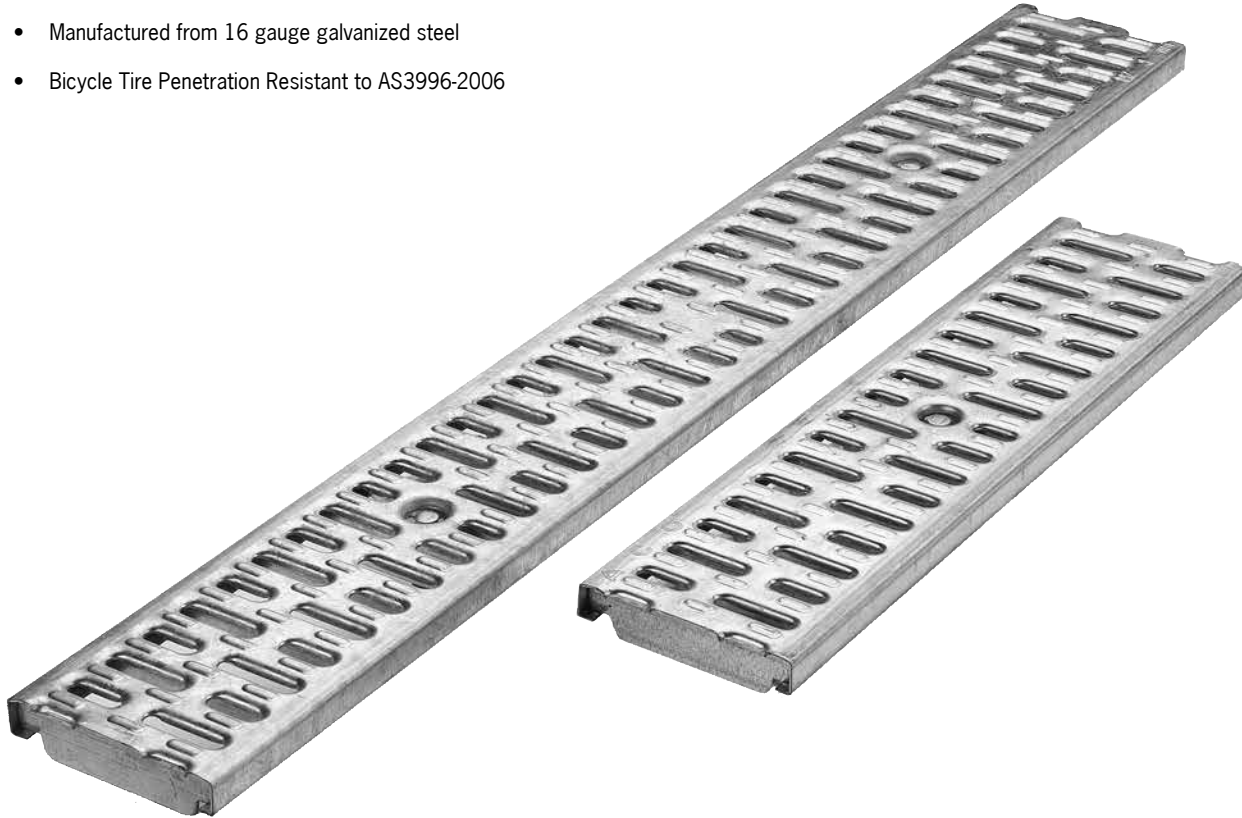


Type 435Q/436Q Slotted galvanized steel grate



Product Features

- Certified to EN 1433 Load Class E - 135,000 lbs - 2,788 psi
- Uses 'QuickLok' boltless locking system
- Suitable for use with K100, KS100, C100, H100-8, H100-10, and H100K-8 channels
- Manufactured from 16 gauge galvanized steel
- Bicycle Tire Penetration Resistant to AS3996-2006



ACO Specification Information

Specifications

General

The surface drainage system shall be ACO Drain K100, KS100, C100, H100-8, H100-10, and H100K-8 channels* complete with ACO Type 435Q/436Q Slotted galvanized steel grate with 'QuickLok' locking as manufactured by ACO Polymer Products, Inc. or similar approved.

Materials

The covers shall be manufactured from galvanized steel and have **minimum** properties as follows:

- **Independently certified to meet Load Class E to EN 1433 - 135,000 lbs - 2,788 psi**
- **16 gauge galvanized steel**
- **Intake area of 17.6 sq. in. (113.5 cm²) per half meter of grate**

The overall width of 4.84" (123mm) and overall length of 39.37" (1000mm) (Type 435) and 19.69" (500mm) (Type 436). Slots measure 1.75" (45mm) by 0.38" (10mm) and 1.17" (30mm) by 0.38" (10mm).

Installation

The trench drain system and grates shall be installed in accordance with the manufacturer's installation instructions and recommendations.

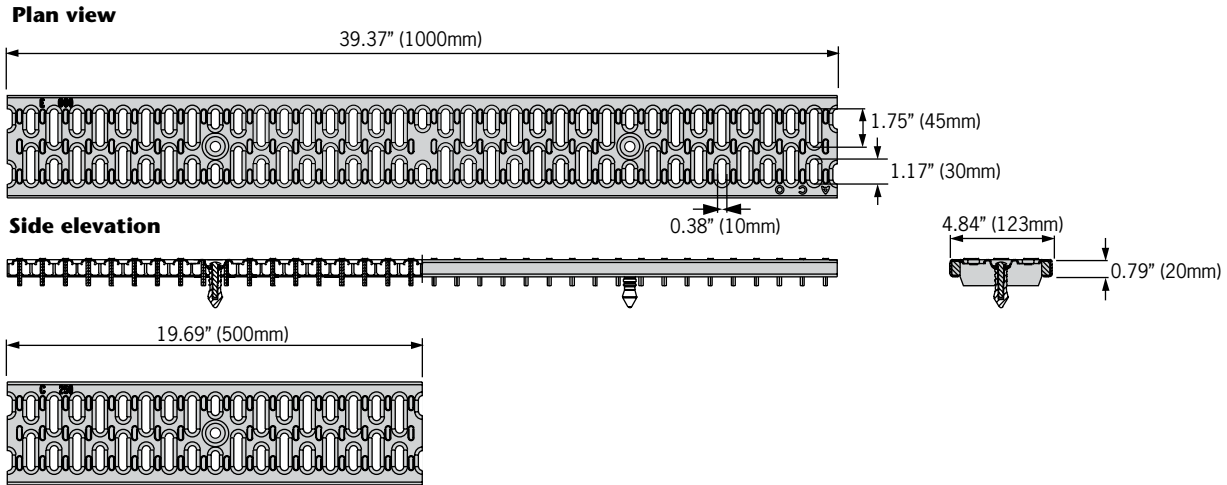
* delete as appropriate

ACO DRAIN

Type 435Q/436Q Slotted galvanized steel grate

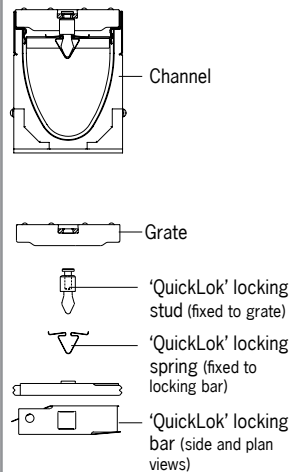


ACO Specification Information



| Description | Part No. | Length inches (mm) | Width inches (mm) | Weight lbs. |
|------------------------------------|--------------|-----------------------|----------------------|----------------|
| QuickLok grates | | | | |
| Type 435Q Slotted galvanized grate | 31550 | 39.37 (1000) | 4.84 (123) | 13.4 |
| Type 436Q Slotted galvanized grate | 31551 | 19.69 (500) | 4.84 (123) | 6.8 |
| QuickLok locking bar | 02899 | - | - | 0.2 |
| QuickLok grate removal hook | 01318 | - | - | 0.6 |

'QuickLok' locking mechanism



ACO 'QuickLok' is a patented boltless locking system, grates are removed and replaced with the minimum time and effort for ease of maintenance. The unique design provides a positive 'snap down' fit into the locking bar. A stud is fixed to the grate which 'locks' into the spring clip in the locking bar.

The 'QuickLok' stud is made from stainless steel and high density nylon, the locking bar and clip are stainless steel, for use in both general purpose and corrosive environments.

ACO Polymer Products, Inc.

Northeast Sales Office

P.O. Box 245
Chardon, OH 44024
Tel: (440) 285-7000
Toll free: (800) 543-4764
Fax: (440) 285-7005

West Sales Office

P.O. Box 12067
Casa Grande, AZ 85130
Tel: (520) 421-9988
Toll Free: (888) 490-9552
Fax: (520) 421-9899

Southeast Sales Office

4211 Pleasant Road
Fort Mill, SC 29708
Toll free: (800) 543-4764
Fax: (803) 802-1063

Follow us on



Electronic Contact:

info@ACODrain.us
www.ACODrain.us



© April 10, 2013 ACO Polymer Products, Inc. This information is believed to be accurate but it is not guaranteed to be so. We cannot assume liability for results that buyer obtains with our product since conditions of use are beyond the control of the company. It is the customer's responsibility to evaluate suitability and safety of product for his own use. ACO Polymer Products Inc. reserves the right to change the product and specifications without notice.