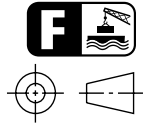
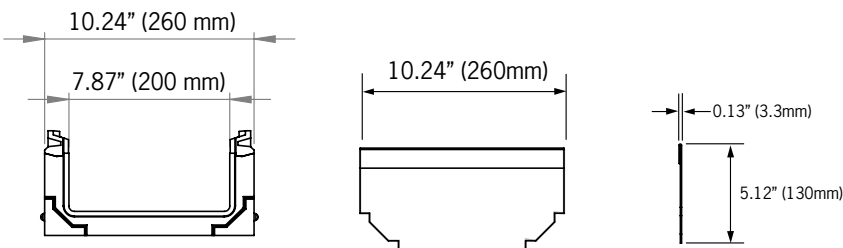
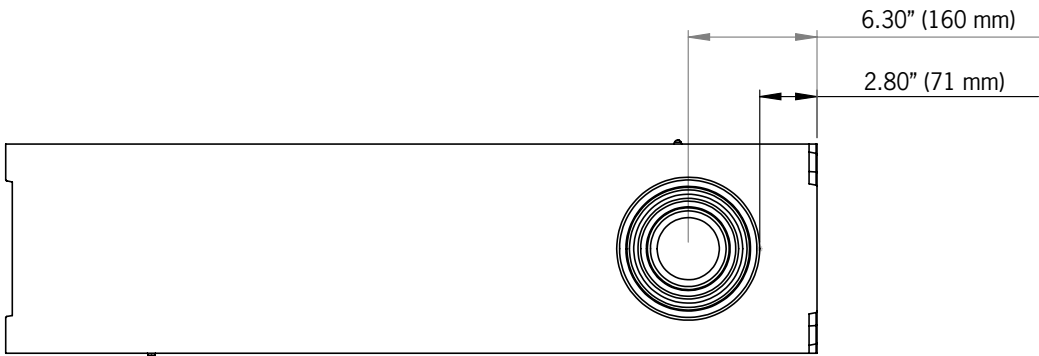
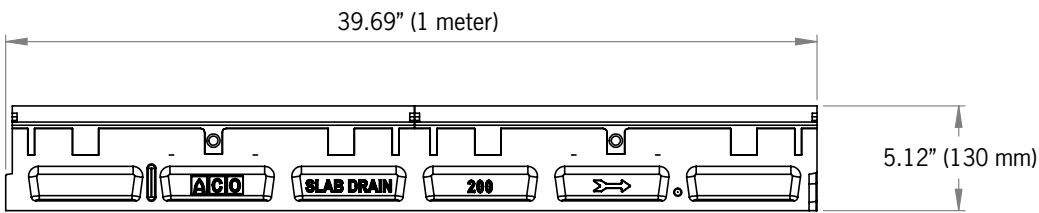
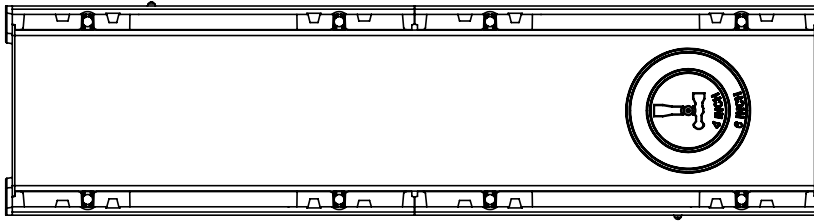


SlabDrain - H200SK-13 iron edge channels

H200SK-13



ACO Specification Information



Outlet flow rates

Product	Outlet size (Sch. 40)	Invert Depth	GPM	CFS
H200SK-13 channel	4" round	4.00	108	0.24
H200SK-13 channel	6" round	4.00	243	0.54

Note: These are the pipe flow rates at the specified outlet, NOT channel flow rates.



Description	Part No.	Invert Depth		Weight lbs.
		inches	mm	
H200SK-13 - Polyester polymer concrete				
H200SK-13 Neutral channel - 39.37" (1m)	63456	4.00	100	66.4
H200SK-13 closing end cap	93460	4.00	100	1.0
Debris strainer	93488	-	-	0.2
Grate removal tool	01318	-	-	0.3
SK2 ductile iron slotted grate C1 F	02449	4.00	100	30.8
SK2 ductile iron longitudinal grate C1 E	72263	4.00	100	26.4

Notes:

1. Add nominal 1.18" (30mm) to invert depth for overall channel depth.
2. Preformed Sch. 40 4" & 6" dia. drill-out cast on underside of each channel
3. Use QuickLok/PowerLok grate removal tool to remove grates (Part # 01318)
4. See specification information for grate details.

Specifications

General

The surface drainage system shall be ACO Drain SlabDrain H200SK-13 complete with slotted gratings secured with 'PowerLok' locking as manufactured by ACO, Inc. or equal approved.

Materials

The trench system bodies shall be manufactured from polyester polymer concrete with minimum properties as follows:

Compressive strength: 14,000 psi
 Flexural strength: 4,000 psi
 Water absorption 0.07%
 Frost proof
 Salt proof
 Dilute acid and alkali resistant

The nominal clear opening shall be 7.87" (200mm) with overall width of 10.24" (260mm). Pre-cast units shall be manufactured with neutral invert and have a wall thickness of at least 0.5" (13mm). Each unit will feature a male to female interconnecting end profile. Units shall have horizontal cast in anchoring features on the outside wall to ensure maximum mechanical bond to the surrounding bedding material and pavement surface. The ductile iron edge rail will be integrally cast in by the manufacturer to ensure maximum homogeneity between polymer concrete body and edge rail. Each edge rail shall be at least 1/4" (6mm) thick.

Installation

The trench drain system shall be installed in accordance with the manufacturer's installation instructions and recommendations.

ACO, Inc.
Northeast Sales Office
 9470 Pinecone Dr.
 Mentor, OH 44060
 Tel: (440) 639-7230
 Toll free: (800) 543-4764
 Fax: (440) 639-7235

West Sales Office
 825 W. Beechcraft St.
 Casa Grande, AZ 85122
 Tel: (520) 421-9988
 Toll Free: (888) 490-9552
 Fax: (520) 421-9899

Southeast Sales Office
 4211 Pleasant Road
 Fort Mill, SC 29708
 Toll free: (800) 543-4764
 Fax: (803) 802-1063

Follow us on



Electronic Contact:
 info@ACODrain.us
 www.ACODrain.us



© April 2018, ACO, Inc. This information is believed to be accurate but it is not guaranteed to be so. We cannot assume liability for results that buyer obtains with our product since conditions of use are beyond the control of the company. It is the customer's responsibility to evaluate suitability and safety of product for his own use. ACO, Inc. reserves the right to change the product and specifications without notice.