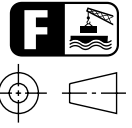
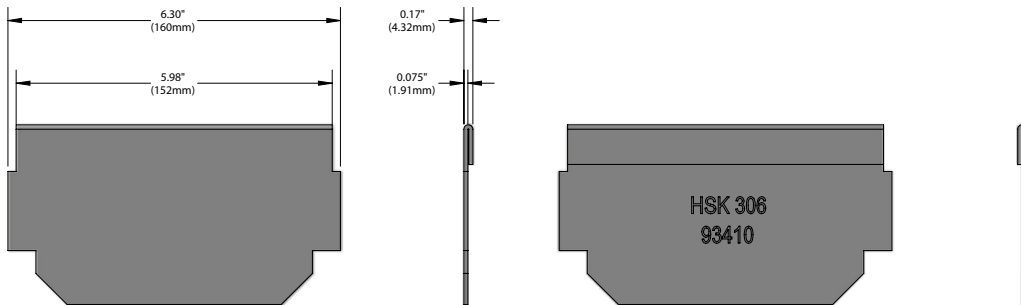
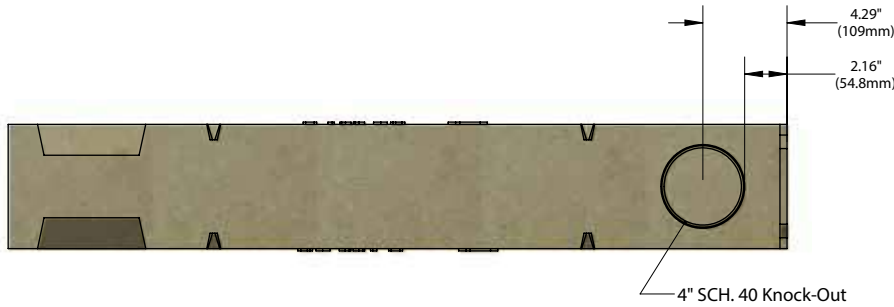
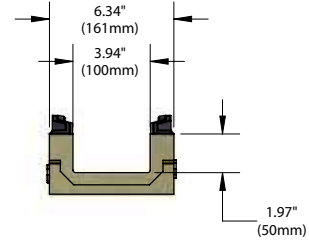
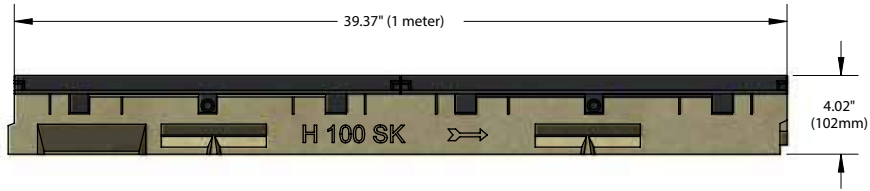
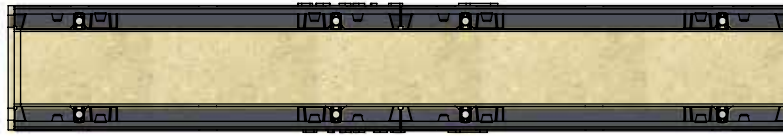


SlabDrain - H100SK-10 iron edged channels

H100SK-10



ACO Specification Information



Outlet flow rates

Product	Outlet size (Sch. 40)	Invert Depth	GPM	CFS
H100SK-10 channel	4" round	2.95	93	0.21

Note: These are the pipe flow rates at the specified outlet, NOT channel flow rates.

ACO DRAIN

SlabDrain - H100SK- 10 iron edged channels



ACO Specification Information

Description	Part No.	Invert Depth		Weight lbs.
		inches	mm	
H100K-8 - Polyester polymer concrete				
H100SK-10 Neutral channel - 39.37" (1m)	93412	2.95	75	43.5
H100SK closing cap	93410	2.95	75	10
Debris strainer for 4" bottom KO	93488	-	-	0.2
Grate removal tool	01318	-	-	0.3
SK1 ductile iron slotted grate - CI F	96082	-	-	12.3
SK1 ductile iron longitudinal grate - CI F	96096	-	-	13.6

Notes:

1. Add nominal 0.6" (15mm) to invert depth for overall channel depth
2. Preformed Sch. 40 4" dia. drill-out cast on underside of each channel
3. Use QuickLok/PowerLok grate removal tool to remove grates (Part # 01318)
4. See specification information for grate details.

Specifications

General

The surface drainage system shall be ACO Drain SlabDrain H100SK-10 as manufactured by ACO, Inc. or equal approved. (Add appropriate grate - see grate spec information).

Materials

The trench system bodies shall be manufactured from polyester polymer concrete with minimum properties as follows:

- Compressive strength: 14,000 psi
- Flexural strength: 4,000 psi
- Water absorption 0.07%
- Frost proof
- Salt proof
- Dilute acid and alkali resistant

The nominal clear opening shall be 4.00" (100mm) with overall width of 6.10" (155mm). Pre-cast units shall be manufactured with neutral invert and have a wall thickness of at least 0.67" (16mm). Each unit will feature a male to female interconnecting end profile. Units shall have horizontal cast in anchoring features on the outside wall to ensure maximum mechanical bond to the surrounding bedding material and pavement surface. The ductile iron edge rail will be integrally cast in by the manufacturer to ensure maximum homogeneity between polymer concrete body and edge rail. Each edge rail shall be at least 1/6" (6mm) thick.

Installation

The trench drain system shall be installed in accordance with the manufacturer's installation instructions and recommendations.

ACO, Inc.
Northeast Sales Office
 9470 Pinecone Drive
 Mentor, OH 44060
 Tel: (440) 639-7230
 Toll free: (800) 543-4764
 Fax: (440) 639-7235

West Sales Office
 825 W. Beechcraft St.
 Casa Grande, AZ 85122
 Tel: (520) 421-9988
 Toll Free: (888) 490-9552
 Fax: (520) 421-9899

Southeast Sales Office
 4211 Pleasant Road
 Fort Mill, SC 29708
 Toll free: (800) 543-4764
 Fax: (803) 802-1063



Electronic Contact:
 info@ACODrain.us
 www.ACODrain.us



© May 2018, ACO, Inc. This information is believed to be accurate but it is not guaranteed to be so. We cannot assume liability for results that buyer obtains with our product since conditions of use are beyond the control of the company. It is the customer's responsibility to evaluate suitability and safety of product for his own use. ACO, Inc. reserves the right to change the product and specifications without notice.