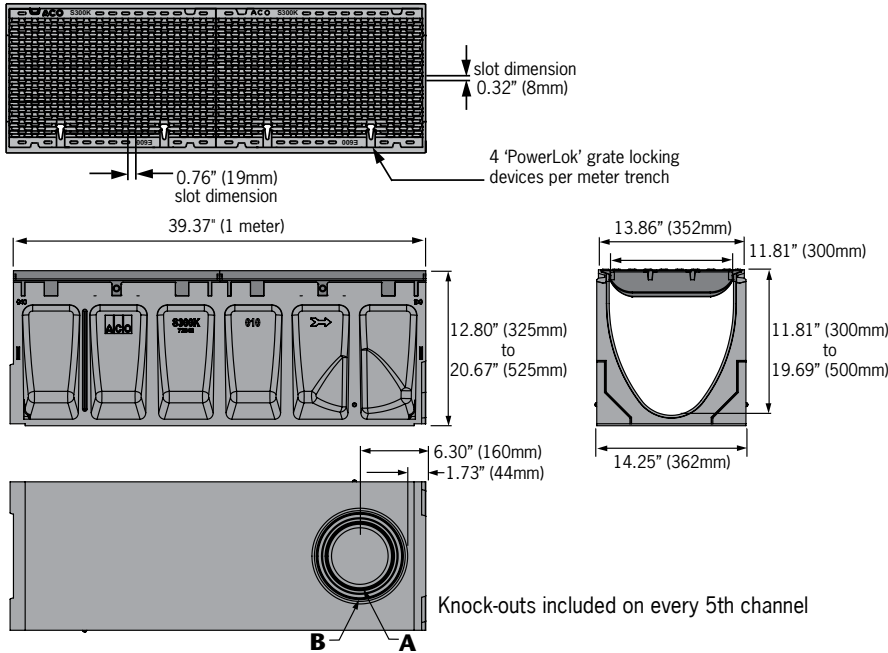
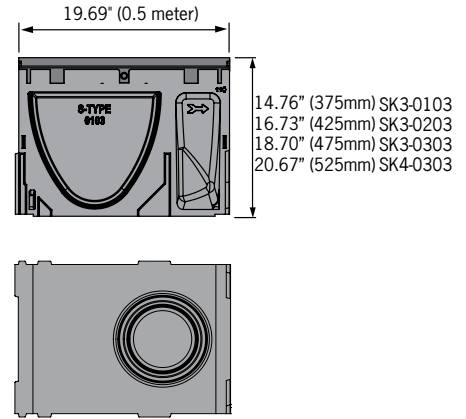


PowerDrain - S300K iron edged channel system with longitudinal grate (ADA)

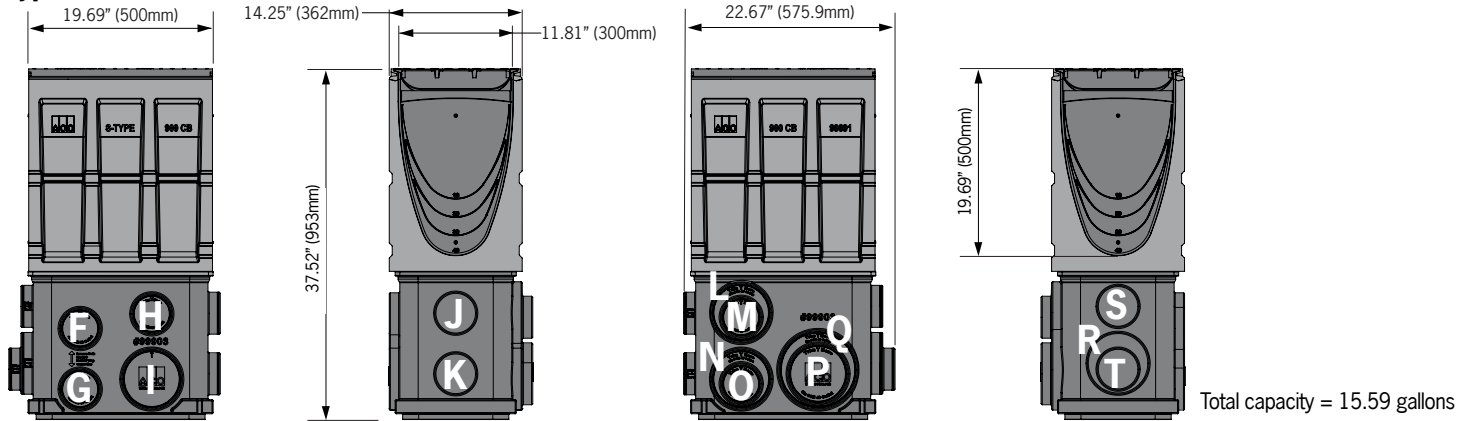
One meter channel



Half meter channel



Type 903D In-line catch basin



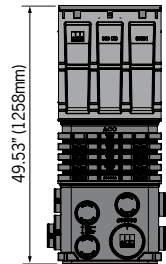
Outlet flow rates

Outlet	Product	Outlet size (Sch. 40)	Invert Depth	GPM	CFS
A	Bottom outlet - SK3-00	6" round	11.81"	421	0.94
A	Bottom outlet - SK3-040	6" round	19.69"	544	1.21
B	Bottom outlet -SK3-00	8" round	11.81"	748	1.67
B	Bottom outlet - SK3-040	8" round	19.69"	966	2.15
C	End outlet - SK3-00	6" round	11.81"	364	0.81
C	End outlet - SK3-40	6" round	19.69"	500	1.11
D	End outlet - SK3-10	8" round	13.78"	681	1.52
D	End outlet - SK3-40	8" round	19.69"	863	1.92
E	End outlet - SK3-20	10" round	15.75"	1116	2.49
E	End outlet - SK3-40	10" round	19.69"	1304	2.91
F	Type SK3-903D	4" round	29.80"	287	0.64
G	Type SK3-903D	4" round	36.29"	319	0.71
H	Type SK3-903D	4" round	28.22"	279	0.62
I	Type SK3-903D	6" round	36.29"	707	1.57
J	Type SK3-903D	4" round	28.37"	280	0.62
K	Type SK3-903D	4" round	34.87"	312	0.70
L	Type SK3-903D	6" round	29.15"	626	1.40
M	Type SK3-903D	4" round	28.59"	281	0.63
N	Type SK3-903D	6" round	36.28"	707	1.57
O	Type SK3-903D	4" round	35.72"	316	0.70
P	Type SK3-903D	6" round	35.72"	701	1.56
Q	Type SK3-903D	8" round	36.28"	1237	2.76
R	Type SK3-903D	6" round	34.78"	690	1.54
S	Type SK3-903D	4" round	27.65	276	0.61
T	Type SK3-903D	4" round	34.36	310	0.69

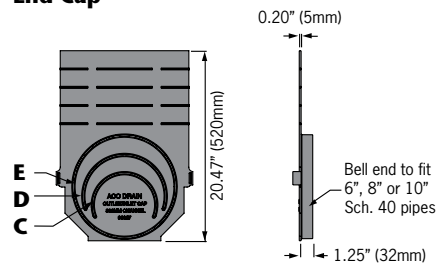
Note: These are the pipe flow rates at the specified outlet, NOT channel flow rates. *Catch basin flow rates are without trash bucket - using trash bucket reduces flow.

Type 904D In-line catch basin

- Notes:**
1. Riser can be cut down in 1" (25mm) increments.
 2. Maximum capacity including riser 27.82 gallons.
 3. Add 12" (300mm) to all heights if using riser.
 4. Outlet flow rates will be higher due to increased depth - contact ACO Sales Office for more details.



End Cap





ACO Specification Information

Description	Part No.	Invert Inches ²	mm ²	Weight lbs.	Description	Part No.	Invert Inches ²	mm ²	Weight lbs.
SK3-00 Neutral channel - 39.37" (1m)^D	72141	11.81	300	258.2	SK3-28 Sloped channel - 39.37" (1m)	72128	17.32	440	291.4
SK3-1 Sloped channel - 39.37" (1m)	72101	12.01	305	258.2	SK3-29 Sloped channel - 39.37" (1m)	72129	17.52	445	292.7
SK3-2 Sloped channel - 39.37" (1m)	72102	12.20	310	259.4	SK3-30 Sloped channel - 39.37" (1m) ^D	72130	17.72	450	293.9
SK3-3 Sloped channel - 39.37" (1m)	72103	12.40	315	260.7	SK3-030 Neutral channel - 39.37" (1m)^D	72146	17.72	450	293.9
SK3-4 Sloped channel - 39.37" (1m)	72104	12.60	320	261.9	SK3-0303 Neutral channel - 19.69" (0.5m)^D	72149	17.72	450	156.1
SK3-5 Sloped channel - 39.37" (1m) ^D	72105	12.80	325	263.1	SK3-31 Sloped channel - 39.37" (1m)	72131	17.91	455	295.1
SK3-6 Sloped channel - 39.37" (1m)	72106	12.99	330	264.4	SK3-32 Sloped channel - 39.37" (1m)	72132	18.11	460	296.4
SK3-7 Sloped channel - 39.37" (1m)	72107	13.19	335	265.6	SK3-33 Sloped channel - 39.37" (1m)	72133	18.31	465	297.6
SK3-8 Sloped channel - 39.37" (1m)	72108	13.39	340	266.8	SK3-34 Sloped channel - 39.37" (1m)	72134	18.50	470	298.8
SK3-9 Sloped channel - 39.37" (1m)	72109	13.58	345	268.0	SK3-35 Sloped channel - 39.37" (1m) ^D	72135	18.70	475	300.1
SK3-10 Sloped channel - 39.37" (1m) ^D	72110	13.78	350	269.3	SK3-36 Sloped channel - 39.37" (1m)	72136	18.90	480	301.3
SK3-010 Neutral channel - 39.37" (1m)^D	72142	13.78	350	269.3	SK3-37 Sloped channel - 39.37" (1m)	72137	19.09	485	302.5
SK3-0103 Neutral channel - 19.69" (0.5m)^D	72145	13.78	350	141.9	SK3-38 Sloped channel - 39.37" (1m)	72138	19.29	490	303.7
SK3-11 Sloped channel - 39.37" (1m)	72111	13.98	355	270.5	SK3-39 Sloped channel - 39.37" (1m)	72139	19.49	495	305.0
SK3-12 Sloped channel - 39.37" (1m)	72112	14.17	360	271.7	SK3-40 Sloped channel - 39.37" (1m) ^D	72140	19.69	500	306.2
SK3-13 Sloped channel - 39.37" (1m)	72113	14.37	365	273.0	SK3-040 Neutral channel - 39.37" (1m)^D	72148	19.69	500	306.2
SK3-14 Sloped channel - 39.37" (1m)	72114	14.57	370	274.2	SK3-0403 Neutral channel - 19.69" (0.5m)^D	72150	19.69	500	164.3
SK3-15 Sloped channel - 39.37" (1m) ^D	72115	14.76	375	275.4	SK3-903D In-line catch basin - 19.69" (0.5m) ^D	94572	37.40	950	165.4
SK3-16 Sloped channel - 39.37" (1m)	72116	14.96	380	276.7	SK3-904D In-line catch basin - 19.69" (0.5m) ^D	94582	49.53	1258	175.4
SK3-17 Sloped channel - 39.37" (1m)	72117	15.16	385	277.9	Series 600 Optional plastic riser	99902	-	-	10.0
SK3-18 Sloped channel - 39.37" (1m)	72118	15.35	390	279.1	Foul air trap - fits both 910 & 610 basins	90854	-	-	1.2
SK3-19 Sloped channel - 39.37" (1m)	72119	15.55	395	280.4	12" channel Universal end cap	96827	19.69	500	2.5
SK3-20 Sloped channel - 39.37" (1m) ^D	72120	15.75	400	281.6	12" channel Installation device	97479	-	-	4.9
SK3-020 Neutral channel - 39.37" (1m)^D	72144	15.75	400	281.6	Grate removal tool	01318	-	-	0.3
SK3-0203 Neutral channel - 19.69" (0.5m)^D	72147	15.75	400	148.9					
SK3-21 Sloped channel - 39.37" (1m)	72121	15.94	405	282.8					
SK3-22 Sloped channel - 39.37" (1m)	72122	16.14	410	284.1					
SK3-23 Sloped channel - 39.37" (1m)	72123	16.34	415	285.3					
SK3-24 Sloped channel - 39.37" (1m)	72124	16.54	420	286.5					
SK3-25 Sloped channel - 39.37" (1m) ^D	72125	16.73	425	287.7					
SK3-26 Sloped channel - 39.37" (1m)	72126	16.93	430	289.0					
SK3-27 Sloped channel - 39.37" (1m)	72127	17.13	435	290.2					

Notes:

1. This channel offers bottom knockout feature: 6" & 8" round.
2. Inverts shown are male end; for female invert depth subtract 5mm (≈0.2") from male invert (except neutral channels where it will be same as male invert).
To calculate overall channel depth, add 25.4mm (1.0") to invert depth.
3. Catch basin assembly includes polymer concrete top, PowerLok grate, trash bucket and plastic base.
4. Catch basin assembly includes polymer concrete top, PowerLok grate, deep trash bucket, plastic riser and plastic base.
5. Water intake per meter channel is 126.4 in² (815.48 cm²)

Specifications		Frost proof	YES	edge rail shall be at least 1/4" (6mm) thick.
		Salt proof	YES	
		Dilute acid and alkali resistant	YES	
General	The surface drainage system shall be ACO Drain PowerDrain S300K complete with longitudinal ADA compliant gratings secured with 'PowerLok' locking as manufactured by ACO, Inc. or equal approved.	The nominal clear opening shall be 12" (300mm) with overall width of 13.86" (352mm). Pre-cast units shall be manufactured with either an invert slope of 0.5% or with neutral invert and have a wall thickness of at least 0.67" (16mm). Each unit will feature a partial radius in the trench bottom and a male to female interconnecting end profile. Units shall have horizontal cast in anchoring keys on the outside wall to ensure maximum mechanical bond to the surrounding bedding material and pavement surface. The ductile iron edge rail will be integrally cast in by the manufacturer to ensure maximum homogeneity between polymer concrete body and edge rail. Each		Grates Grates come in longitudinal ductile iron. Ductile iron to ASTM 536-84 - Grade 65-45-12. After removal of gratings there shall be uninterrupted access to the trench to aid maintenance.
Materials	The trench system bodies shall be manufactured from polymer concrete with minimum properties as follows:			Installation The trench drain system shall be installed in accordance with the manufacturer's installation instructions and recommendations.
Compressive strength:	14,000 psi			
Flexural strength:	4,000 psi			
Water absorption	0.07%			

ACO, Inc.
Northeast Sales Office
 9470 Pinecone Dr.
 Mentor, OH 44060
 Tel: (440) 639-7230
 Toll free: (800) 543-4764
 Fax: (440) 639-7235

West Sales Office
 825 W. Beechcraft St.
 Casa Grande, AZ 85122
 Tel: (520) 421-9988
 Toll Free: (888) 490-9552
 Fax: (520) 421-9899

Southeast Sales Office
 4211 Pleasant Road
 Fort Mill, SC 29708
 Toll free: (800) 543-4764
 Fax: (803) 802-1063

Follow us on

Electronic Contact:
 info@ACODrain.us
 www.ACODrain.us



© April 2018 ACO, Inc. This information is believed to be accurate but it is not guaranteed to be so. We cannot assume liability for results that buyer obtains with our product since conditions of use are beyond the control of the company. It is the customer's responsibility to evaluate suitability and safety of product for his own use. ACO, Inc. reserves the right to change the product and specifications without notice.