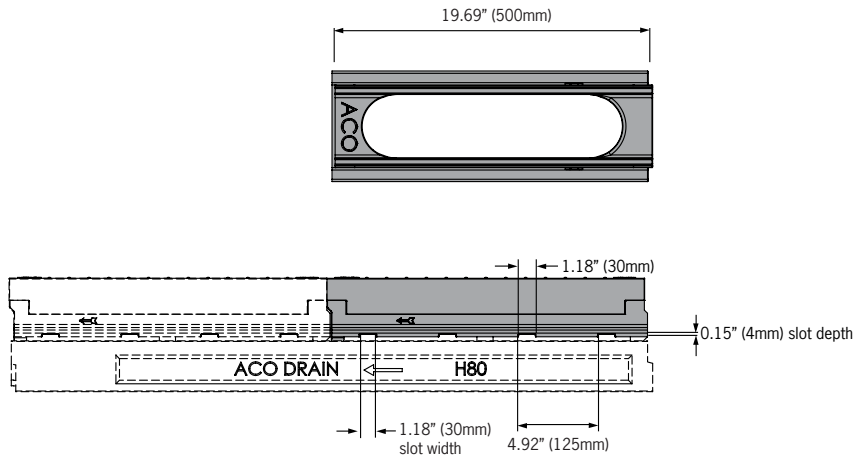
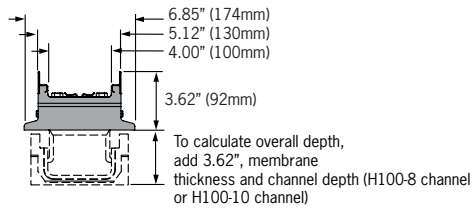




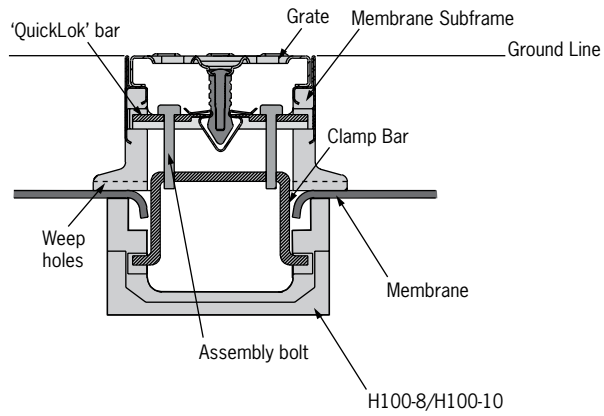
Half meter subframe



End view



Locking diagram



ACO Specification Information

ACO DRAIN

MembraneDrain - Galvanized steel edge rail subframe



ACO Specification Information

Description	Part No.	Invert Depth		Weight lbs.
		inches	mm	
Membrane subframe - galvanized rail	96903	3.62	92	9.7
Clamping device galvanized	96905	-	-	0.9

Notes:

- 1. Use KlassikDrain K100 grates
- 2. For channel refer to SlabDrain H100-8/H100-10.

Specifications

General

The surface drainage system shall be ACO Drain Membrane Drain complete with grates, as manufactured by ACO, Inc. or equal approved.

Materials

The trench system bodies shall be manufactured from polyester polymer concrete with minimum properties as follows:

- Compressive strength: 14,000 psi
- Flexural strength: 4,000 psi
- Water absorption 0.07%
- Frost proof
- Salt proof
- Dilute acid and alkali resistant

The nominal clear opening shall be 4.00" (100mm) with overall width of 6.85" (174mm) and a wall thickness of at least 0.50" (13mm). Each unit will feature a male to female interconnecting end profile. Galvanized steel edge rail will be integrally cast in by the manufacturer to ensure maximum homogeneity between polymer concrete body and edge rail. Each edge rail shall be at least 1/8" (3mm) thick. Clamping device shall allow for membranes up to 0.50" (12.7mm) in thickness. Weep hole openings - 1.18" x 0.15" (30mm x 4mm) along the side allow liquids collected on membrane to drain into channel.

Channels & Grates

H100-8/H100-10 channel and grates should be specified. See separate ACO Spec Info sheets for details.

Installation

The trench drain system shall be installed in accordance with the manufacturer's installation instructions and recommendations.

Note:

Product for use only in areas above rooms not used for habitation or services. For advice in these applications please contact ACO for alternatives.

ACO, Inc.

Northeast Sales Office
9470 Pinecone Drive
Mentor, OH 44060
Tel: (440) 639-7230
Toll free: (800) 543-4764
Fax: (440) 639-7235

West Sales Office
825 W. Beechcraft St.
Casa Grande, AZ 85122
Tel: (520) 421-9988
Toll Free: (888) 490-9552
Fax: (520) 421-9899

Southeast Sales Office
4211 Pleasant Road
Fort Mill, SC 29708
Toll free: (800) 543-4764
Fax: (803) 802-1063

Electronic Contact:
info@ACODrain.us
www.ACODrain.us



© April 2018, ACO, Inc. This information is believed to be accurate but it is not guaranteed to be so. We cannot assume liability for results that buyer obtains with our product since conditions of use are beyond the control of the company. It is the customer's responsibility to evaluate suitability and safety of product for his own use. ACO, Inc. reserves the right to change the product and specifications without notice.