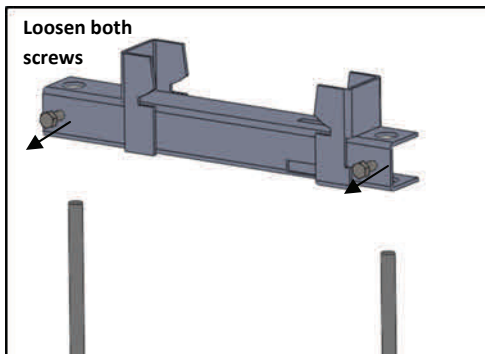
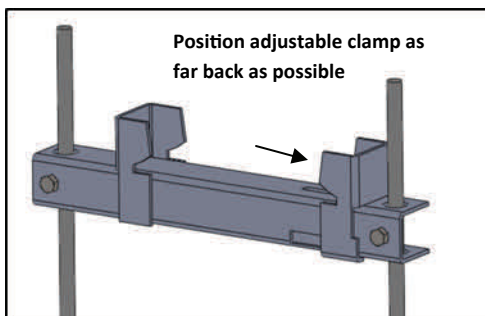


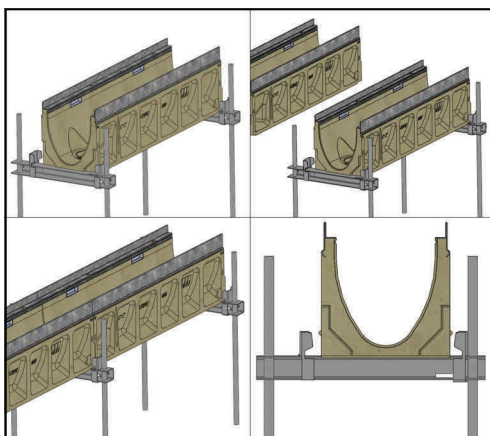
***SEE TEMPLATE INSTRUCTIONS FOR GUIDANCE ON PROPERLY PLACING REBAR**



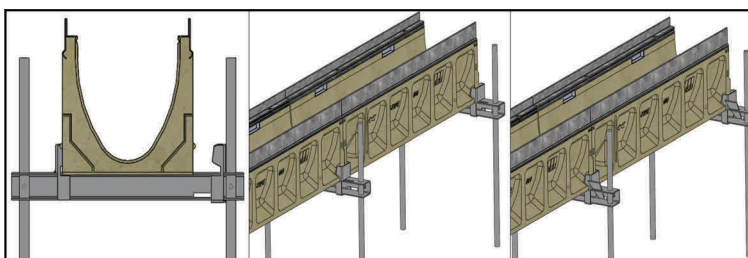
Loosen screws on both sides to allow the installation device to be positioned on the rebar.



Position installation device at required height and tighten screws to lock installation device to rebar. Ensure adjustable clamp is backed up as far possible.



Position channels in the middle of the installation device as shown. Check to ensure channels are at proper height; height can be adjusted by loosening the two installation device screws and re-positioning the installation device as required.



When both channels are mated together, move them all the way against the fixed clamp of the installation device (far left). Slide adjustable clamp tightly against the two channels (may require tapping with a hammer). Insert metal wedge into slotted feature (may require tapping with a hammer) to lock adjustable clamp into place (far right)

Repeat these steps for additional channels