



Product Features

- Certified to EN 1433 Load Class C- 56,000 lbs - 968 psi
- Supplied with a quantity of two (½ -13 x 1¾") socket head bolts to lock down grate
- Manufactured from 0.197" (5mm) thick stainless steel bars
- Suitable for use with F660 catch basin



Specifications

General

The surface drainage system shall be ACO Drain F660 catch basin stainless steel bar grate with bolt locking as manufactured by ACO Polymer Products, Inc. or similar approved.

Materials

The covers shall be manufactured from stainless steel and have **minimum** properties as follows:

- **Independently certified to meet Load Class C to EN 1433 - 56,000 lbs - 968 psi**
- **Intake area of 267 sq. in. (1,722.5 cm²) per 24" grate**

The overall width of 14.75" (375mm) and overall length of 24" (610mm) for part number 97443. Slots measure 3.3" (84mm) by 1.0" (25mm) and 3.0" (76mm) by 1.0" (25mm).

Installation

The trench drain* or catch basin* system and grates shall be installed in accordance with the manufacturer's installation instructions and recommendations.

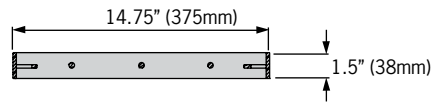
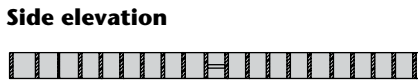
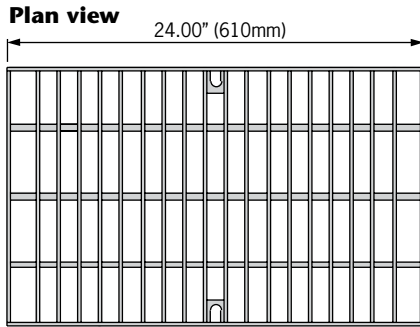
* delete as appropriate

ACO DRAIN

F660 Stainless steel bar grate



ACO Specification Information



Description	Part No.	Length inches (mm)	Width inches (mm)	Weight lbs.
F660 Stainless steel bar grate	97442	24.00 (610)	14.75" (375)	35.2
Replacement stainless steel socket head bolts (Qty 2)	93897	-	-	0.4

ACO Polymer Products, Inc.

Northeast Sales Office

P.O. Box 245
Chardon, OH 44024
Tel: (440) 285-7000
Toll free: (800) 543-4764
Fax: (440) 285-7005

West Sales Office

P.O. Box 12067
Casa Grande, AZ 85130
Tel: (520) 421-9988
Toll Free: (888) 490-9552
Fax: (520) 421-9899

Southeast Sales Office

4211 Pleasant Road
Fort Mill, SC 29708
Toll free: (800) 543-4764
Fax: (803) 802-1063

Follow us on



Electronic Contact:

info@ACODrain.us
www.ACODrain.us



© May 31, 2013 ACO Polymer Products, Inc. This information is believed to be accurate but it is not guaranteed to be so. We cannot assume liability for results that buyer obtains with our product since conditions of use are beyond the control of the company. It is the customer's responsibility to evaluate suitability and safety of product for his own use. ACO Polymer Products Inc. reserves the right to change the product and specifications without notice.