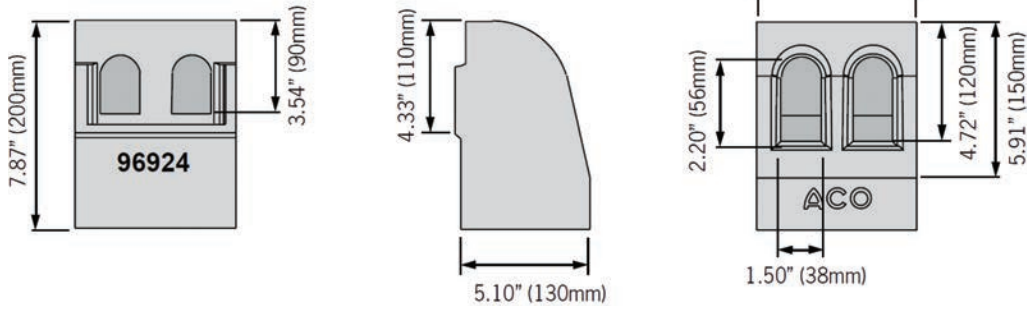


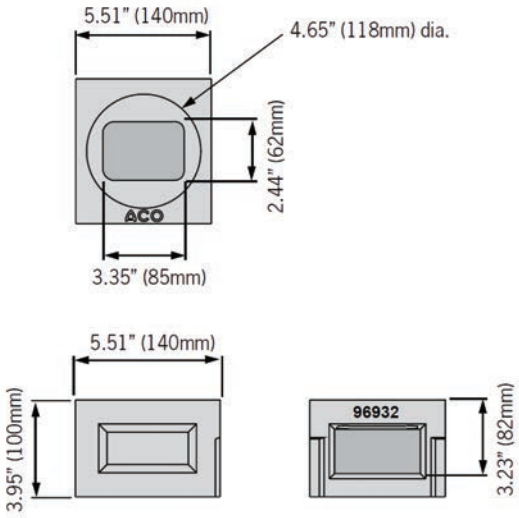
Cross Sidewalk Drain



Curb outlet*

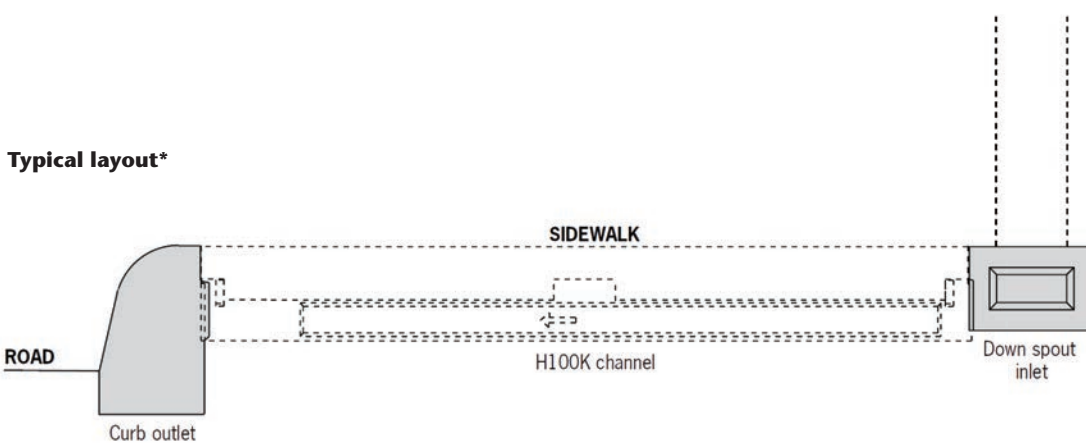


Down spout inlet*



*For use with H100K-8 channels

Typical layout*



ACO Specification Information

ACO DRAIN

CSD trench drain system



ACO Specification Information

Description	Part No.	Invert Depth		Weight
		inches	mm	lbs.
Curb outlet - Type 6	96924	4.72	120	12.7
Down spout inlet	96932	2.56	65	6.0

Notes:

1. For H100K-8 channel information see separate spec information sheet

Specifications

General

The surface drainage system shall be ACO Drain Cross Sidewalk Drain for use with ACO H100K-8, as manufactured by ACO, Inc. or equal approved.

Materials

The units shall be manufactured from polyester polymer concrete with minimum properties as follows:

Compressive strength: 14,000 psi
 Flexural strength: 4,000 psi
 Water absorption 0.07%
 Frost proof
 Salt proof
 Dilute acid and alkali resistant

The curb outlet has a Type 6 profile and connects to the male end of the H100K-8 channel. The down spout inlet connects to the female end of the H100K-8 channel and has the option to take square or round down spouts.

Channels & Grates

H100K-8 or H100KS-8 channel and grates should be specified. See separate ACO Spec Info sheets for details.

Installation

The system shall be installed in accordance with the manufacturer's installation instructions and recommendations.

ACO, Inc.
Northeast Sales Office
 9470 Pinecone Dr.
 Mentor, OH 44060
 Tel: (440) 639-7230
 Toll free: (800) 543-4764
 Fax: (440) 639-7235

West Sales Office
 825 W. Beechcraft St.
 Casa Grande, AZ 85122
 Tel: (520) 421-9988
 Toll Free: (888) 490-9552
 Fax: (520) 421-9899

Southeast Sales Office
 4211 Pleasant Road
 Fort Mill, SC 29708
 Toll free: (800) 543-4764
 Fax: (803) 802-1063



Electronic Contact:
 info@ACODrain.us
 www.ACODrain.us



© April 2018, ACO, Inc. This information is believed to be accurate but it is not guaranteed to be so. We cannot assume liability for results that buyer obtains with our product since conditions of use are beyond the control of the company. It is the customer's responsibility to evaluate suitability and safety of product for his own use. ACO, Inc. reserves the right to change the product and specifications without notice.