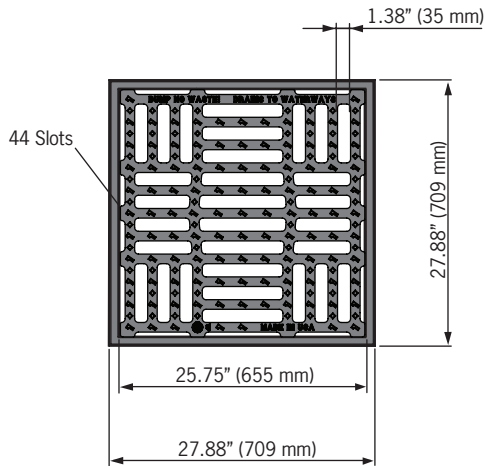


2x2 Polyester polymer concrete catch basin

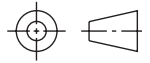
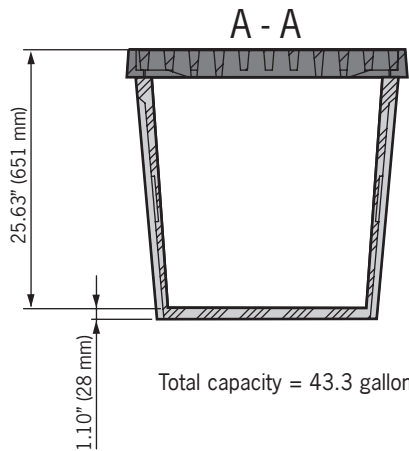
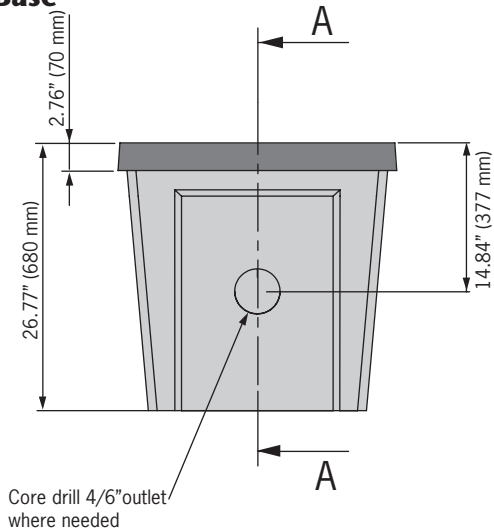
Grate



- Grate is classified as 'Heavy Duty' and meets the requirements of AASHTO M306*.
- Grate provides 48% open area - 318 sq. in.

*AASHTO M306 requires that castings bear a minimum of 40,000 pounds on a 9" x 9" area. This represents a 2.5 safety factor over the 16,000 pound requirement of H20 and HS20. This load designation is appropriate for general traffic applications. Loading criteria is 40,000 — 100,000 pounds.

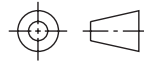
Base



ACO Specification Information



2x2 Polyester polymer concrete catch basin



Description	Part No.	Invert Depth		Weight lbs.
		inches	mm	
2x2 Catch Basin - Polyester polymer concrete	05719	25.63	651	192.0
Grey iron frame & slot grate	05720	-	-	191.0

Part I - General	Part II - Product	Part III - Installation
<p>1.1 Related Work - Work specified in other sections includes but is not limited to: Excavation and backfill, cast-in-place concrete, and mechanical equipment.</p> <p>1.2 System Description - 2 x 2 Catch basin manufactured from polyester polymer concrete, complete with gray iron slotted grate.</p> <p>1.3 Submittals - Manufacturer will submit, when required, shop drawings showing schematic plan of total drainage system listing all parts being provided with exact center-line dimensions suitable for installation. Copies of the manufacturer's recommended method of installation shall be submitted for review.</p> <p>1.4 Project History - Manufacturer shall submit a list of installed projects, if required.</p> <p>1.5 Warranty - ACO provides a limited product warranty of one year based on installation according to manufacturer's installation instruction data.</p>	<p>2.1 Products - Manufacturer shall be ACO, Inc.</p> <p>2.2 Physical & Mechanical Characteristics</p> <ul style="list-style-type: none"> • Overall width - 27.87 inches (708mm) • Overall length - 27.87 inches (708mm) • Overall depth - 26.77 inches (680mm) • Invert depth - 25.63 inches (651mm) • Compressive strength - 14,000 psi • Flexural strength - 4,000 psi • Water absorption rate - <0.1% by weight <p>2.3 Box Profile - Pre-cast units shall be manufactured with drill-outs for channel and pipe connections and have a wall thickness of at least 0.75" (19mm).</p> <p>2.4 Grates - Grates are slotted gray iron. After removal of grates there shall be uninterrupted access to the catch basin to aid maintenance.</p>	<p>3.1 Excavation - Identify area for install. Full concrete encasement is required, excavate area large enough to fit catch basin plus a minimum of 6" of concrete on all four sides and base. Engineering advice should be sought as ground conditions may require additional concrete support.</p> <p>3.2 Outlet Connections - Each box has several drill-outs, which when removed, allow pipe to be connected to catch basin. Drill-outs are guides & openings that can be positioned where required.</p> <p>3.3 Connection of channels: Catch basin can be used within a channel run. Remove sidewall to suit channel profile.</p> <p>3.4 Back Fill - Haunch around catch basin & backfill with concrete of 4,000 psi minimum strength. Finish concrete to 1/8" above required grate height.</p> <p>3.5 Install in strict accordance with manufacturer's recommendations & drawings. Details available at www.ACOdrain.us.</p>

ACO Specification Information

ACO, Inc.

Northeast Sales Office
 9470 Pinecone Drive
 Mentor, OH 44060
 Tel: (440) 639-7230
 Toll free: (800) 543-4764
 Fax: (440) 639-7235

West Sales Office
 825 W. Beechcraft St.
 Casa Grande, AZ 85122
 Tel: (520) 421-9988
 Toll Free: (888) 490-9552
 Fax: (520) 421-9899

Southeast Sales Office
 4211 Pleasant Road
 Fort Mill, SC 29708
 Toll free: (800) 543-4764
 Fax: (803) 802-1063

Electronic Contact:
 info@acodrain.us
 www.acodrain.us

